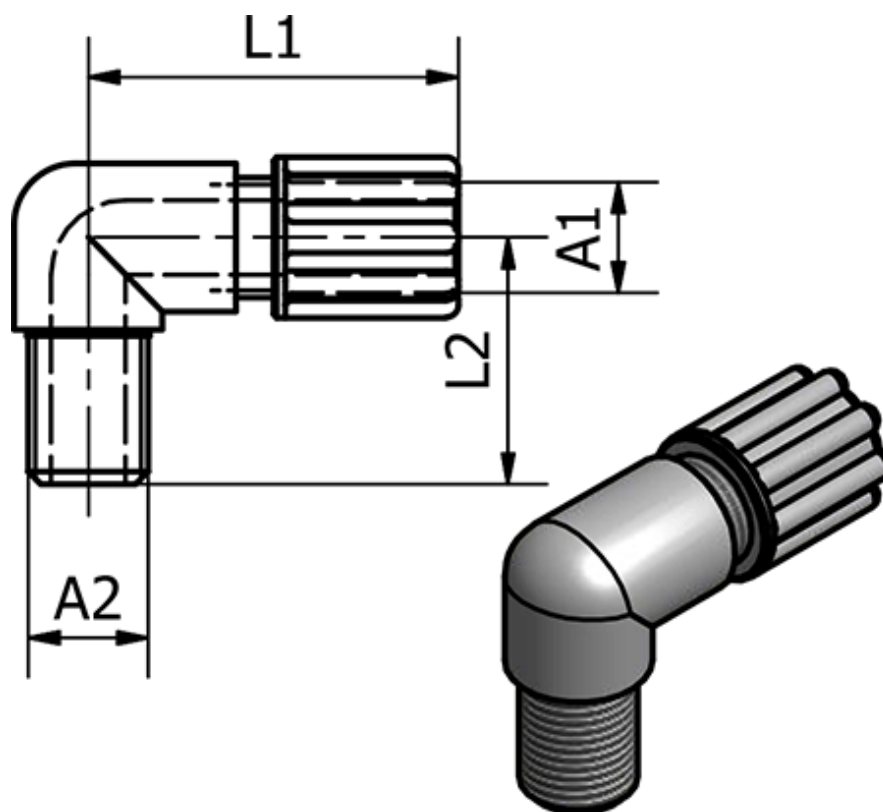


Article number: 58614063

Description: Push-on 140.63, Ø8/10 - G 1/4"
Angle

Measures



Ext. Hose Diameter A1	= 8/10
L1	= 35
L2	= 30
Thread A2	= G 1/4"